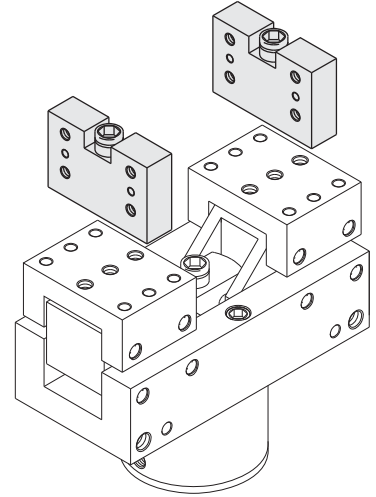
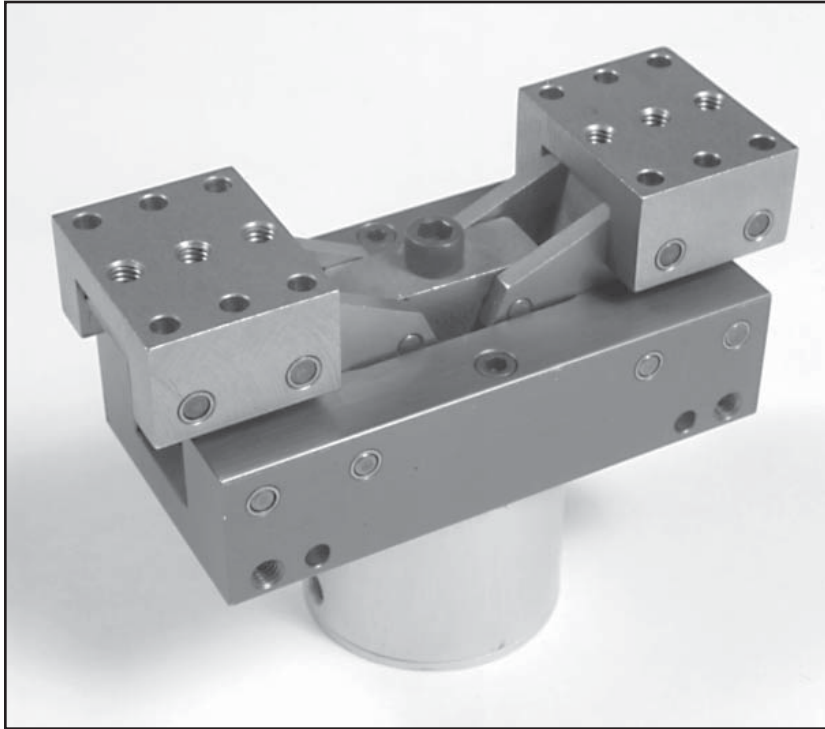


Gripper

PARALLEL MOTION Double Acting

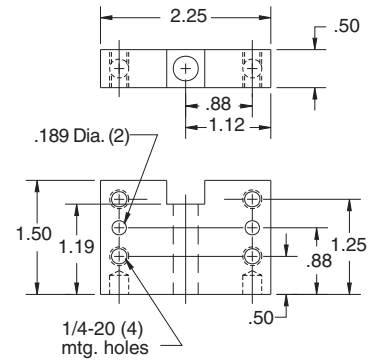
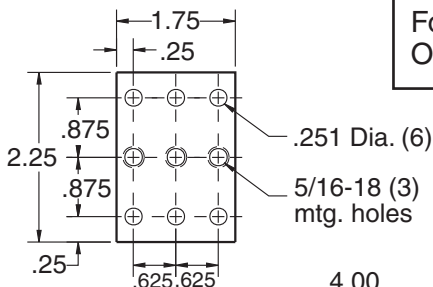
B-3P



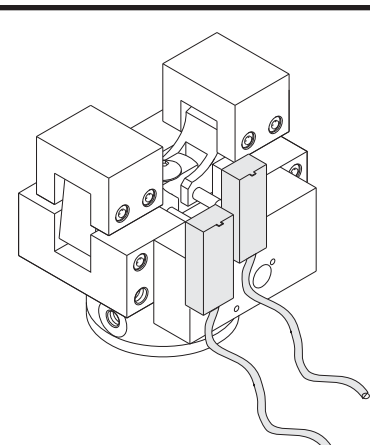
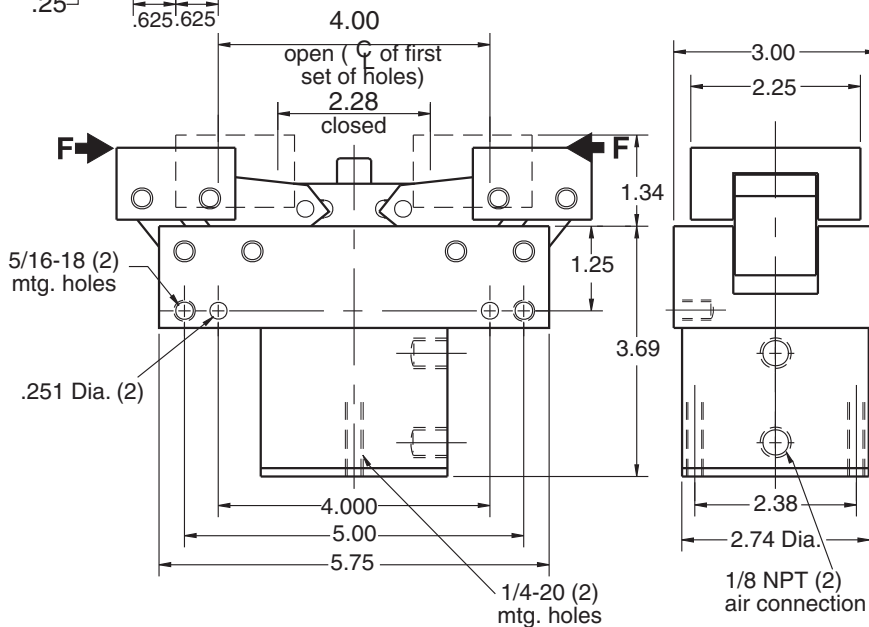
Upright ground steel jaws
for mounting tooling

TECHNICAL DATA

Weight	5.2 lbs
Max Rec. Load	30 lbs
Force @ 80 psi	60 lbs @ F
Operating Pressure	60-100 PSI



J1-3 jaw for B-3P
(bolts & pins included)



Proximity sensors
preassembled for
open & closed positions
(see page 17)