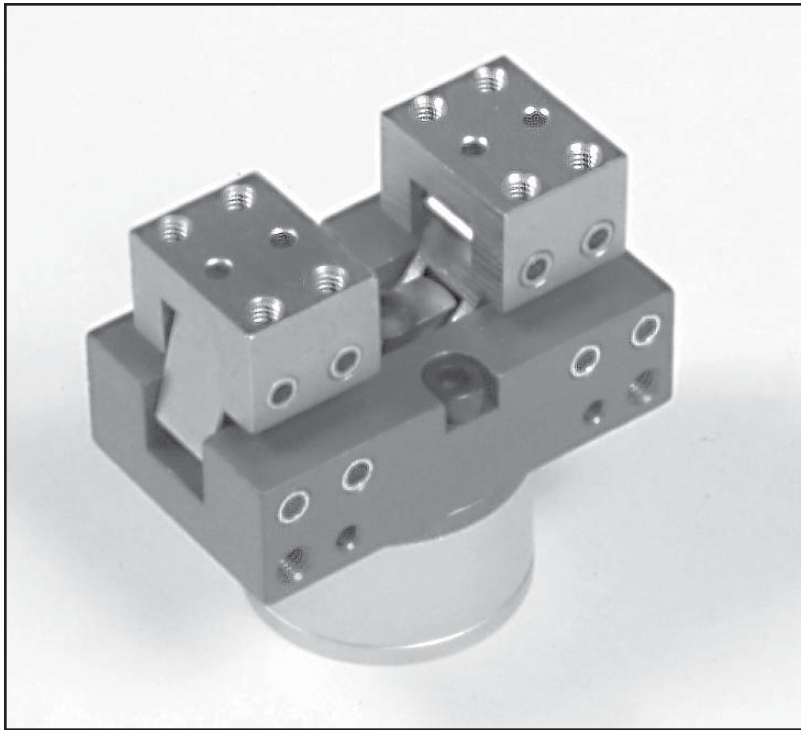


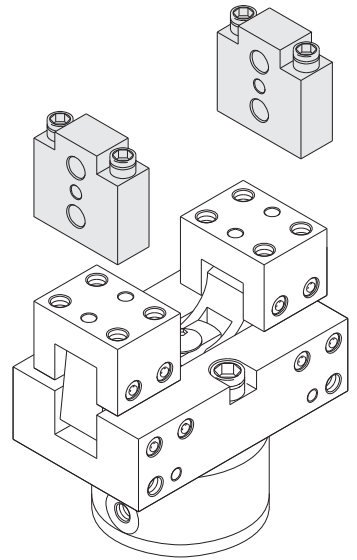
Gripper

PARALLEL MOTION Double Acting

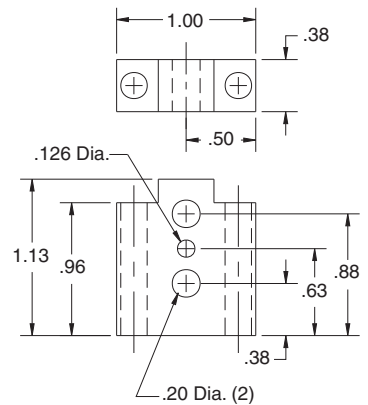
B-1P



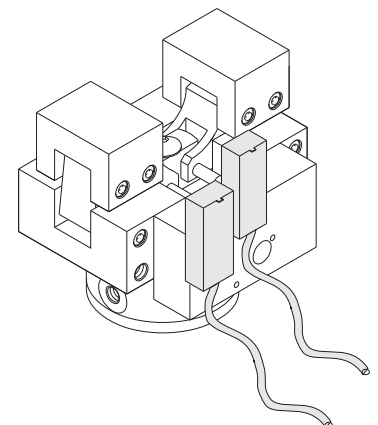
Accessories



Upright ground steel jaws
for mounting tooling



J1-1 jaw for B-1P
(bolts & pins included)



Proximity sensors
preassembled for
open & closed positions
(see page 17)

TECHNICAL DATA

Weight	14 oz.
Max Rec. Load	5 lbs
Force @ 80 psi	20 lbs @ F
Operating Pressure	60-100 PSI

