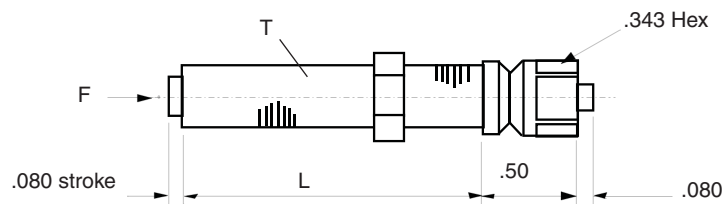


Stopscrews

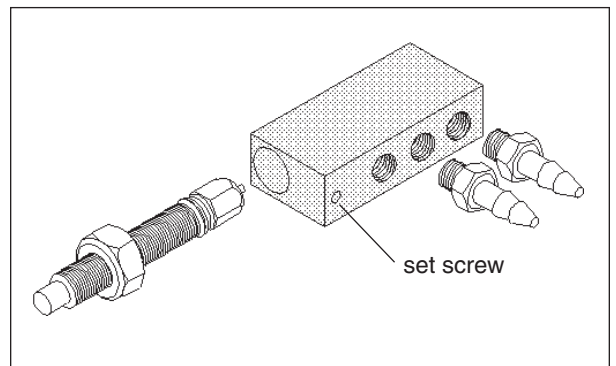
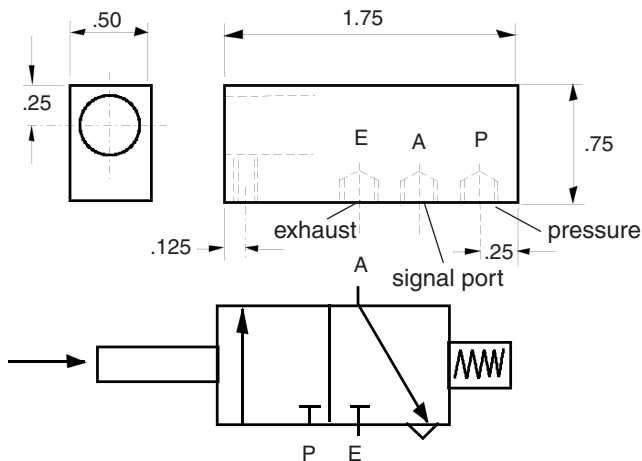


Type	T	L	F.max.
SS-5/16L	5/16-24	1.50	200 lbs
SS-1/2	1/2-20	3.25	1500 lbs
SS-3/4	3/4-16	4.25	4500 lbs

Pneumatic Sensing Switch

PN

Pneumatic type (normally closed)



Signal is maintained while stop screw is depressed.
 Fits all SS stop screws. Operating pressure P = 15 - 120 psi.
 Signal pressure A = P when activated.
 Connection ports 10-32 (2)
 Aluminum body