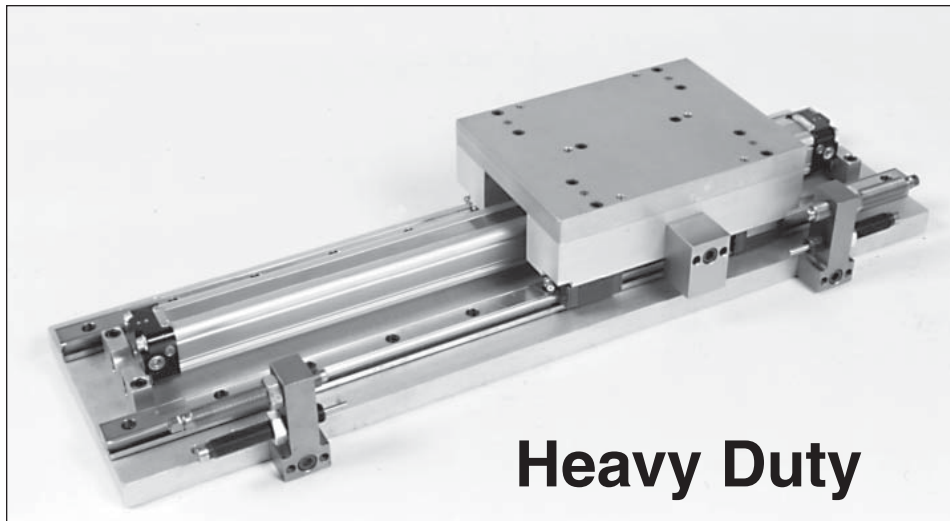
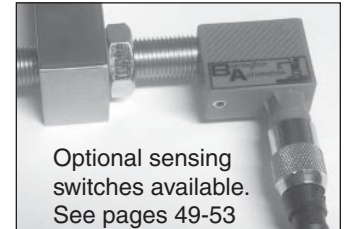


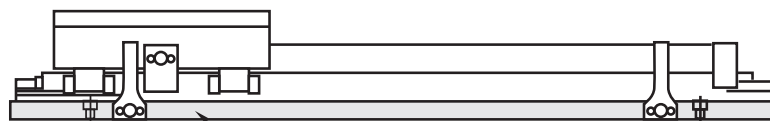
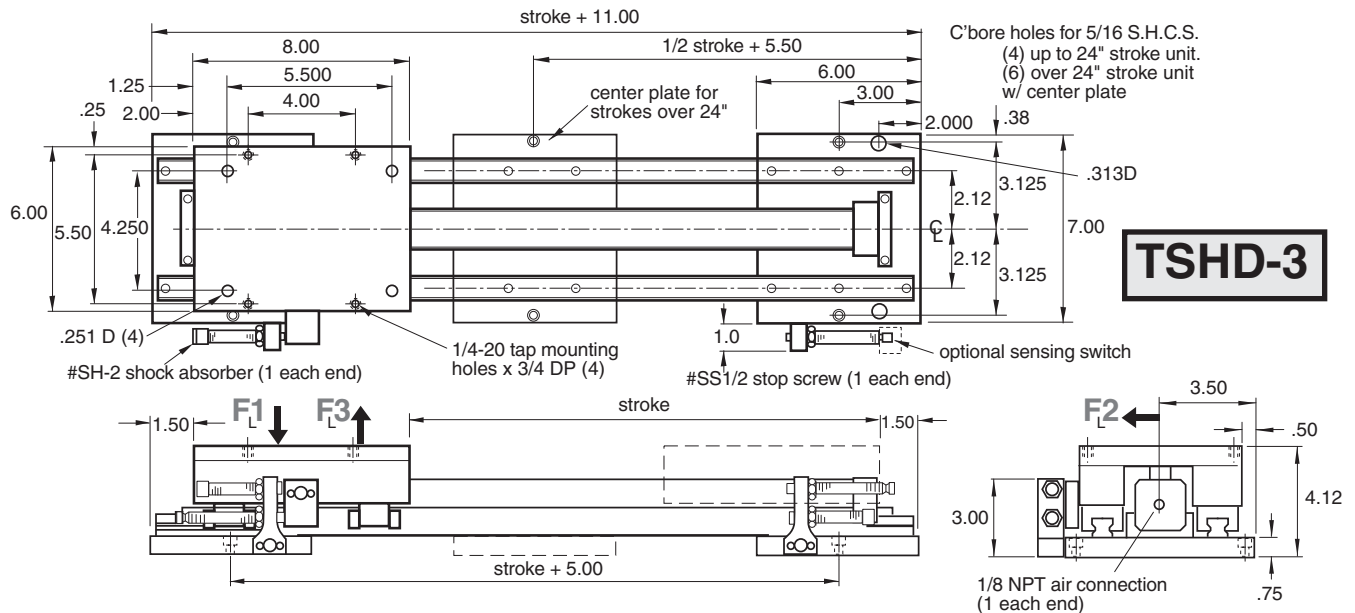
TSHD-3 Table Slide



Heavy Duty



Optional sensing switches available. See pages 49-53



TSHD-R-3

Continuous reinforced mounting plate
(4 mtg holes up to 24" stroke - 6 mtg holes over 24" stroke)

Order:

TSHD-3-(stroke)

TSHD-R-3-(stroke) (reinforced)

Bore = 1"

Force at 80 psi: 48 lbs

F_{L1} = 180 (320 reinforced)

F_{L2} = .75 x F_{L1}

F_{L3} = .50 x F_{L1}

Approx. Weight = 16 lbs + .5 x (stroke) = lbs

Available strokes up to 96" in 1" increments

Technical data

- Stroke designed with built in stopscrews with fine threads
- The stopscrews can be used with sensing switches
- Designed for production rates and long life
- Seal kits and rebuilt kits available.

Operating medium
Operating pressure
Repeat accuracy
Air connection

Compressed air
60-100 psi
±0.0005 in
1/8 NPT